



This Document provide by

North American Bluebird Society

www.nabluebirdsociety.org

NABS 2020 Bluebird Nestbox saf 1/24/2020

Materials List

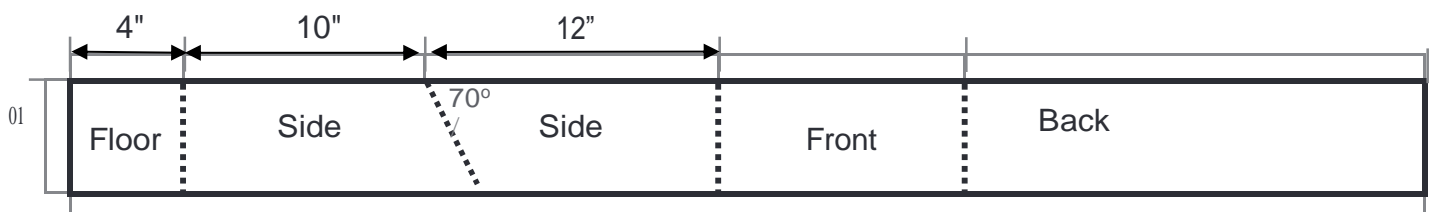
- Standard board 1" x 6" x 4' long, (or 1"x 6" x 6', see below)
- Standard board 1" x 10" x 12" long for roof. Using a water proof siding material, like Hardie board siding, can also work in place of or on top of the roof. Two 12" boards can be combined with Titebond III for roof.
- 1-3/4" galvanized nails or even better use 1 5/8" deck screws – approximately 20 will do.
- 1-3/4" galvanized screw or nail for pivot point – 2 needed
- A double-headed or duplex 6 d or 8 d, nail 1 1/2" to 2 1/2" long for holding door closed – 1 (if you cannot obtain a duplex nail an ordinary sinker nail will work fine, or even a clenched 8 d nail.)

Note 1" lumber is typically about 3/4" thick. Woods like Western Red Cedar or Redwood are best for exterior use but exterior grade plywood (do not use "pressure treated" plywood) will also work well. If plywood or pine are to be used it is important to coat with a wood sealer like Thompson's Water Seal or paint it with a light colored (white is ideal), exterior grade latex paint. Do not paint the outside of the front of your box (panel with the entrance hole).

Board Side view



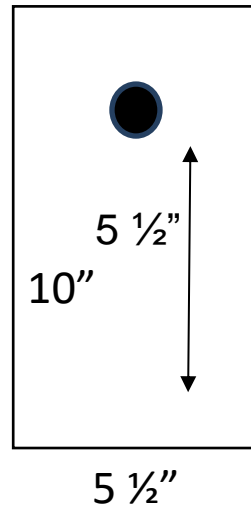
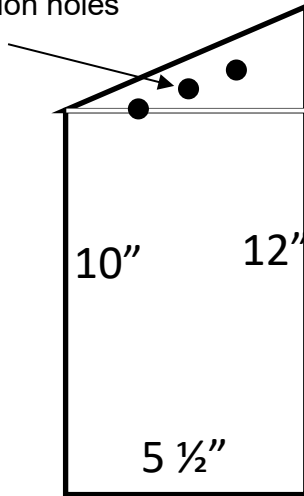
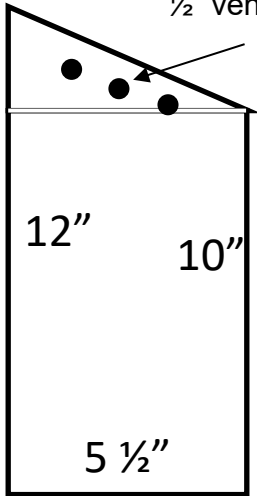
Board Top view



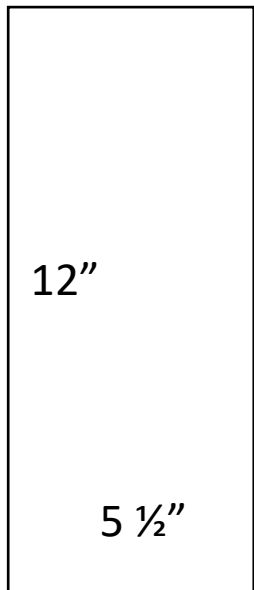
- Start cutting at the floor piece section and work right towards the back piece section since the back length is the least critical.
- With a 10" wide roof (i.e., with ~2" of overhang) one can safely drill three 1/2" holes in each side just below where it meets the roof for ventilation and still not have issues with rain entering the nestbox.
- On the inside of the front, below the hole, it is recommended that saw cuts (or kerfs) be cut to make a "ladder" so it is easier for fledglings to depart the box.
- If the box is to be used for Western or Mountain Bluebirds the hole should be 1 9/16" in diameter and that size hole is fine for Eastern Bluebirds as well.
- Smooth the entrance hole by sanding.
- It helps to drill an 3/16" hole for all outside screw holes. When assembling, it helps to drill a 1/8" hole into the inside board to prevent the screw from splitting the wood.
- Drill ventilation holes in an upward angle. In colder areas, the ventilation could be reduced or may not be needed.

Boards ready for Assembly

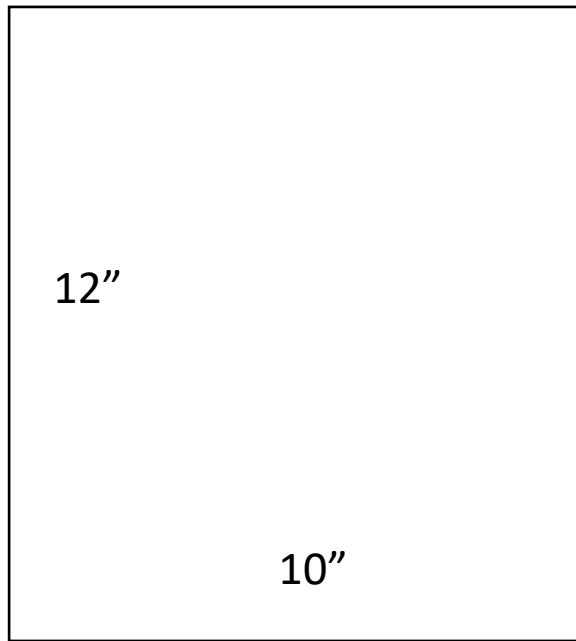
(Drill ventilation and entrance holes
Before assembling the nest box)
1/2" ventilation holes



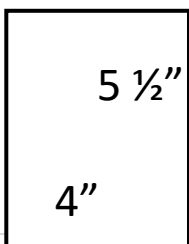
Front



Back



Top

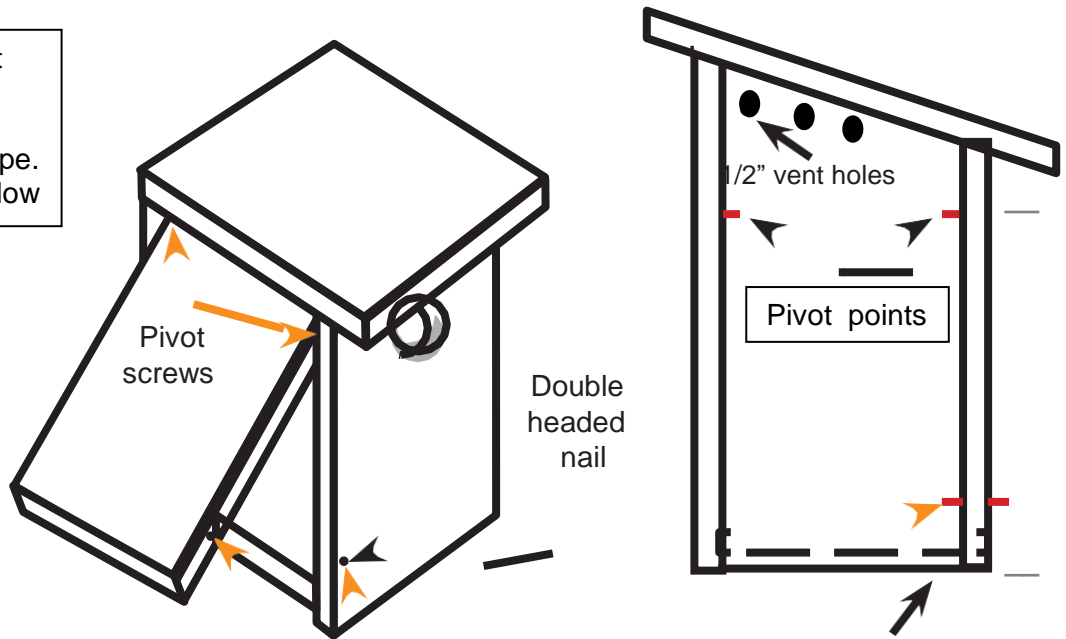


Floor

Note: before you make a bluebird box, make sure that it will be installed and monitored regularly to prevent House Sparrows from successfully nesting and raising young. For info on locating, installing and monitoring bluebird boxes, see the NABS website above. Look for the Fact Sheet "Getting Started with Bluebirds"

Construction Plan

The roof will overhang the front ~6" – 6 1/2" and both sides ~2" when completed. The roof will have a 20 deg back to front slope. See photo of the actual box below



Drill hole through the front board and the side of the door to latch door closed.

It is best to recess the bottom 3/4"



Optional Oval Hole

5 1/2"

Drill two 1 3/8" hole & chisel sides flat to oval

